



*Let's renew
renewable energies*



Turn2Sun
RENEWABLES

Is proud to reveal its
newest product

Blade2Sun

The power of the wind,
the light of the Sun

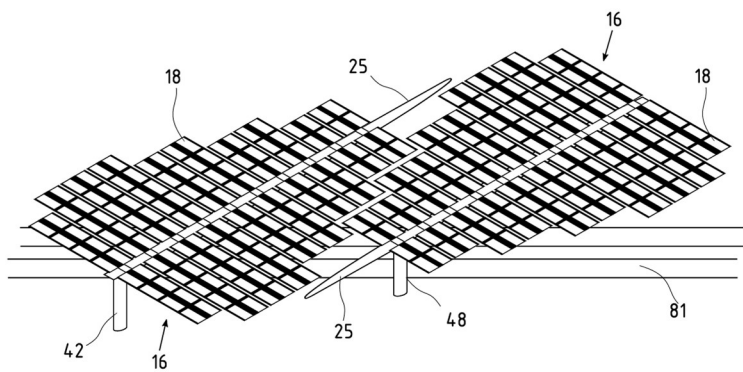




Accelerating the energy and climate transition

Our Blade2Sun product is a PV monoaxial tracker made of used wind turbine blades. The strength of the blades enables structures with broad wingspan, covering large areas with minimal ground use thanks spaced out foundations. This in turns lets you install large PV arrays with reduced impact on the land underneath.

↔ 30m between foundations



⚡ 60-90kWp for a 33m blade
(High yield due to bifacial PV)

✓ Innovation

- Unique concept with bifacial PV modules
- Patented clamps between the blade and the PV module

✓ Sustainability

- Upcycling of used wind turbine blade, producing one of the lowest power plant EROI
- Minimal ground usage

✓ Flexibility

- Ground adaptability
- Ease of transportation thanks to existing wind turbine industry vehicles and procedures.

Turn2sun, a Swiss start-up, works to develop new-generation energy supply systems. Thanks to the experience of our team of engineers, we can offer a modular product that can be adapted to the terrain at minimal economic and ecological cost.



More information

info@turn2sun.com | www.turn2sun.com
Turn2Sun – Le Crêt 108A, 2314 La Sagne, Switzerland